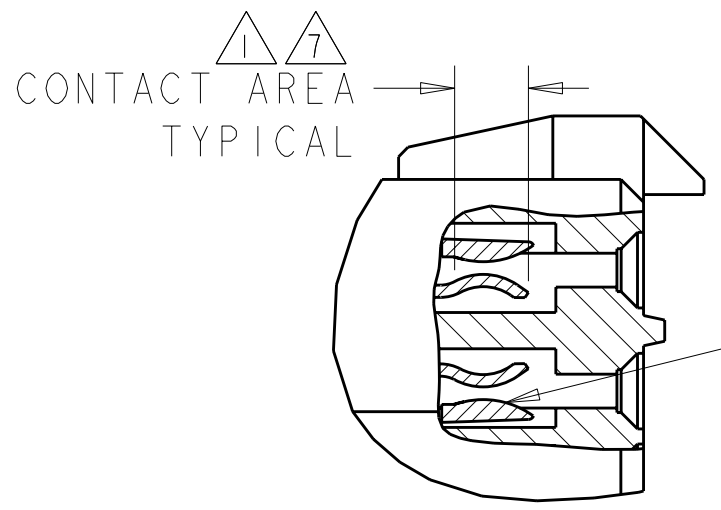
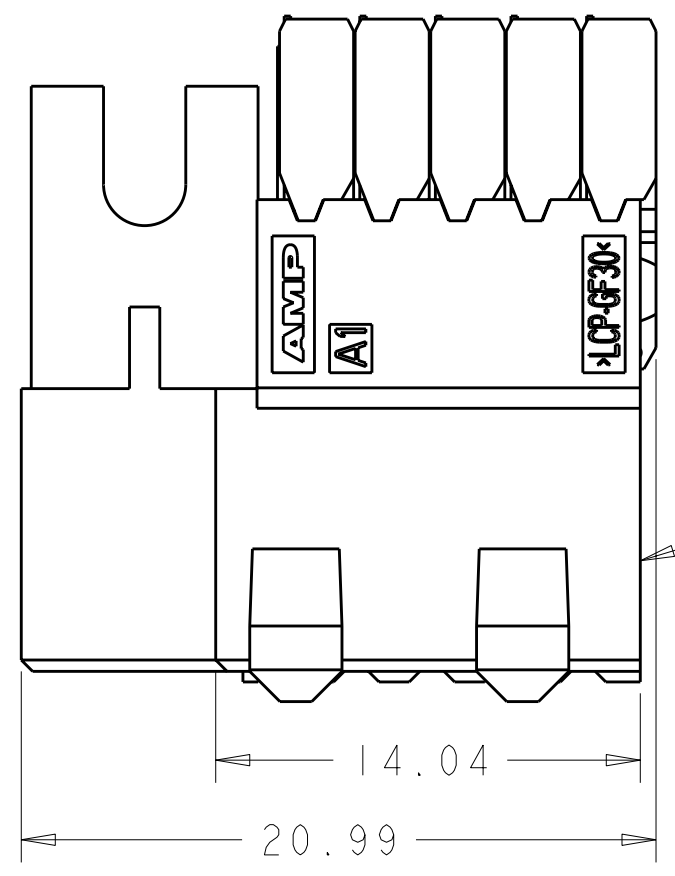


THIS DRAWING IS UNPUBLISHED. RELEASED FOR PUBLICATION 20
 © COPYRIGHT 20 ALL RIGHTS RESERVED.

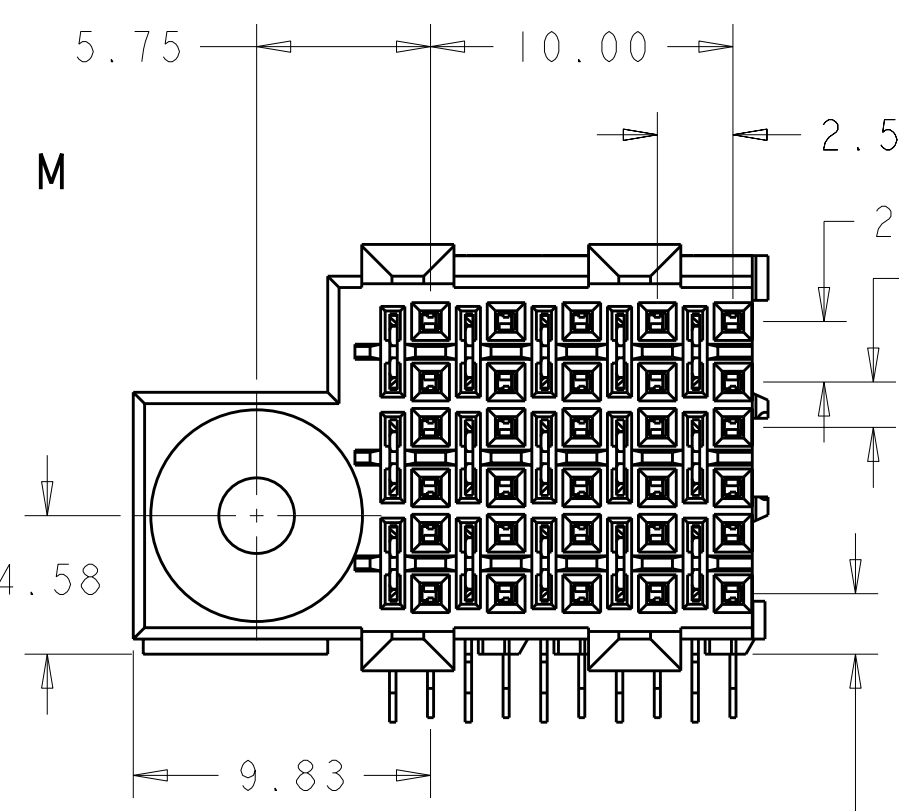
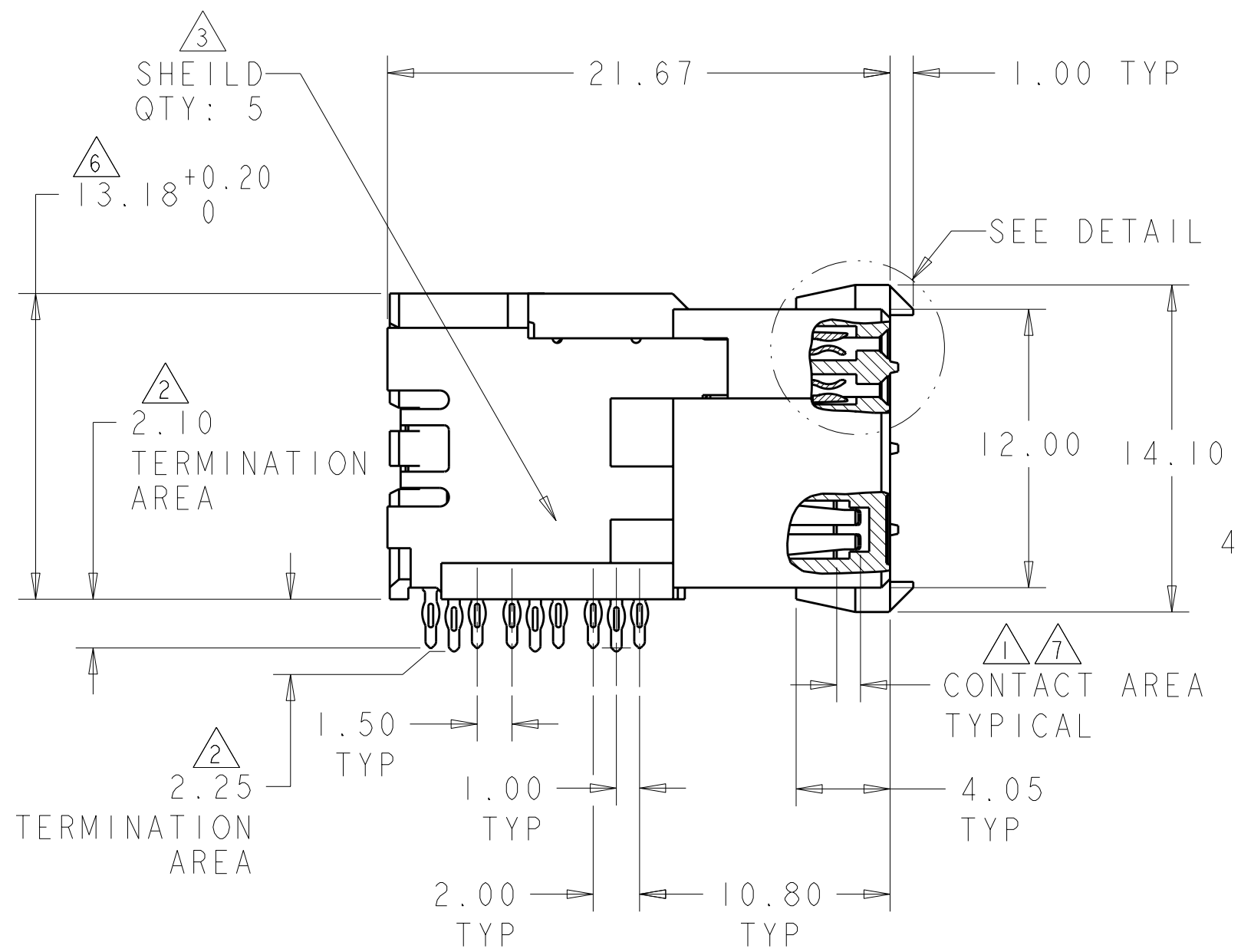
LOC		DIST		REVISIONS			
P	LTR	DESCRIPTION	DATE	DWN	APVD		
	A	REVISED PER ECO-11-013132	13JUL2011	HMR	MH		



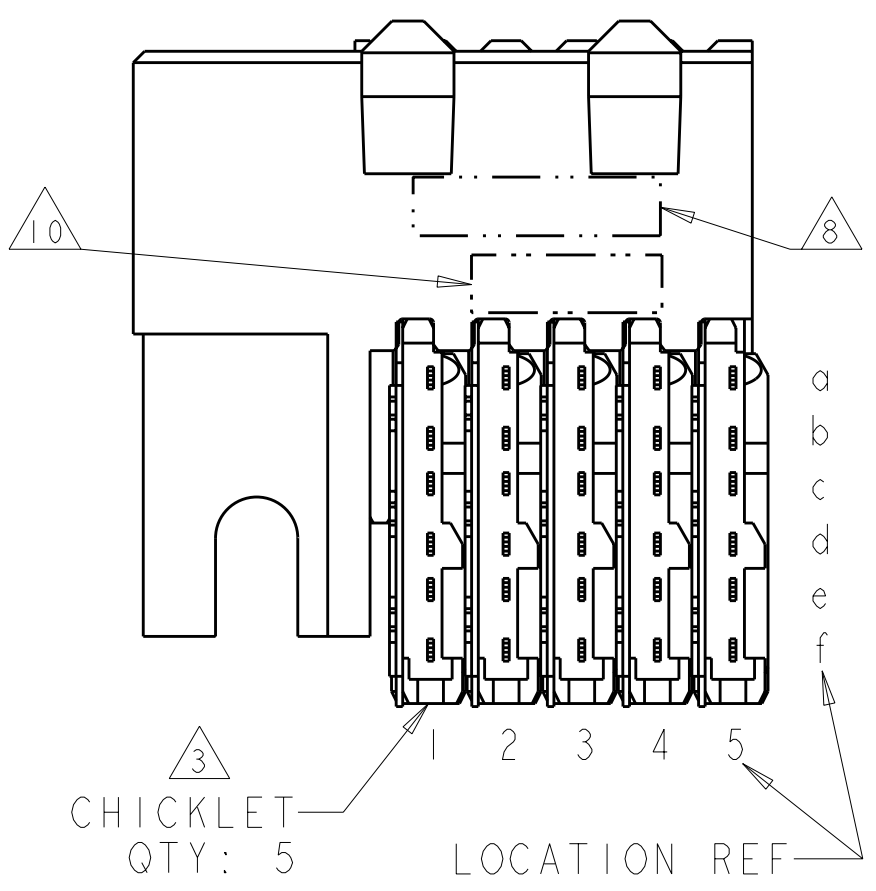
DETAIL M
SCALE 8:1



HOUSING QTY: 1

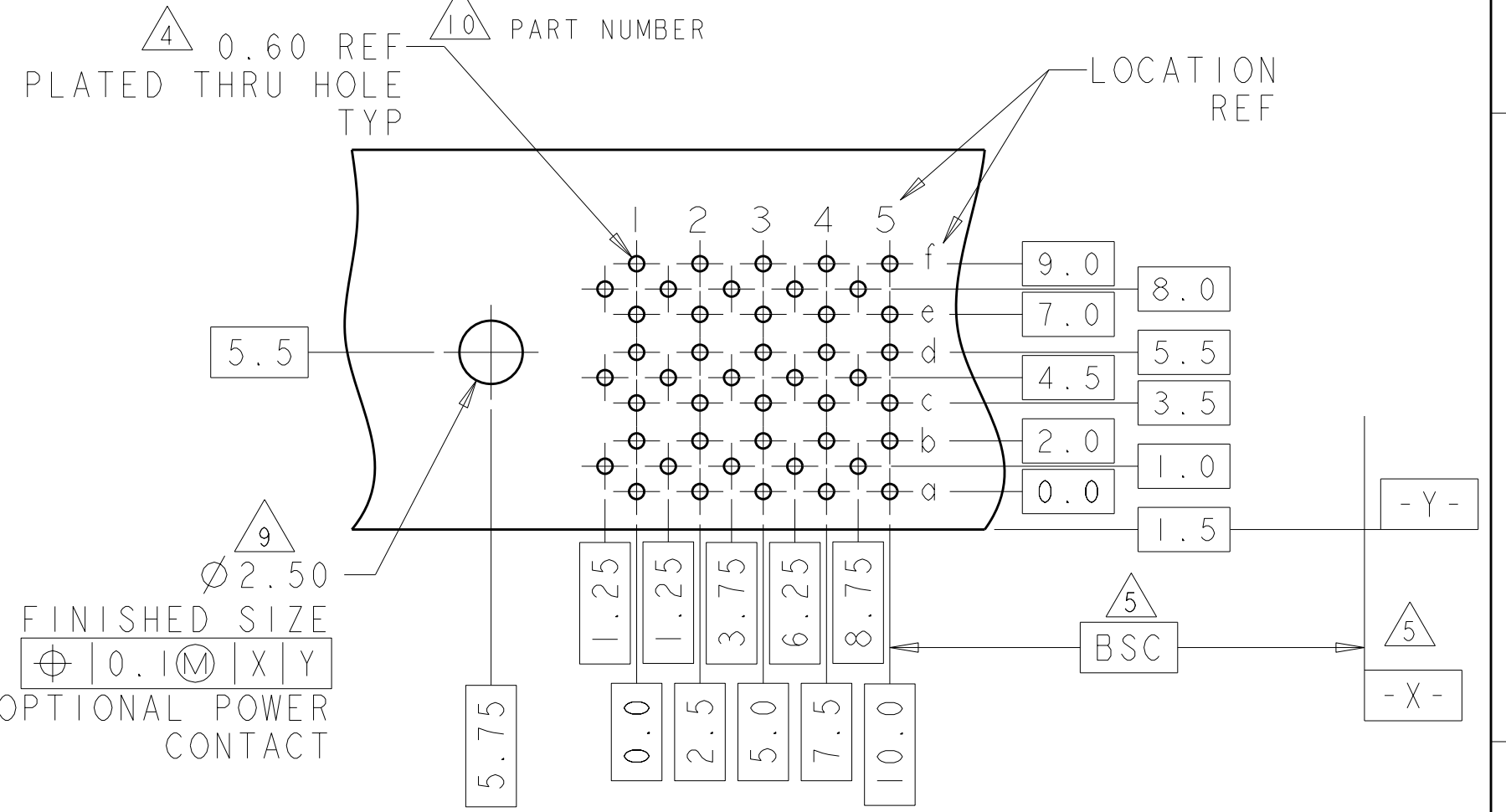


DIATANCE FROM ROW "a" TO BOARD SURFACE



CHICKLET QTY: 5

- 1 CONTACT MATING AREA MEETS THE PERFORMANCE REQUIREMENTS OF TE CONNECTIVITY PRODUCT SPECIFICATION 108-1957; BASED ON TELCORDIA GR-1217-CORE, APPLICATIONS IN UNCONTROLLED ENVIRONMENTS.
- 2 0.76µm MIN TIN OVER 1.27µm MIN NICKEL
- 3 MATERIAL:
CONTACT - COPPER ALLOY
SHIELD - PHOSPHOR BRONZE
HOUSING - LCP, UL94V-0
CHICKLET - GLASS FILLED POLYESTER
- 4 REFERENCE APPLICATION SPEC 114-13020 FOR RECOMMENDED PLATED THRU HOLE DIAMETER AND PLATING THICKNESS.
- 5 DATUM AND BASIC DIMENSION ESTABLISHED BY CUSTOMER.
- 6 SEATING HEIGHT TO BOARD SURFACE.
- 7 CONTACT AREA LUBRICATED WITH BELLCORE APPROVED LUBRICANT. TECHNICAL REFERENCE: GR-1217-CORE, ISSUE 1, NOVEMBER 1995.
- 8 DATE CODE
- 9 OPTIONAL POWER CONTACT PN 535875-X
- 10 PART NUMBER



RECOMMENDED PRINTED CIRCUIT BOARD LAYOUT
COMPONENT SIDE OF PRINTED CIRCUIT BOARD

5120789-1
PART NUMBER

THIS DRAWING IS A CONTROLLED DOCUMENT.		DWN B. CARBO 07DEC04	TE Connectivity	
DIMENSIONS: mm		CHK R. PATTERSON 07DEC04		
TOLERANCES UNLESS OTHERWISE SPECIFIED:		APVD R. PATTERSON 07DEC04	NAME RECEPTACLE ASSEMBLY, 30 POSITION LEFT HAND, 6 ROW, DUAL BEAM, Z-PACK HS3	
0 PLC ±		PRODUCT SPEC 108-1957	SIZE A2	
1 PLC ±		APPLICATION SPEC 114-13020	CAGE CODE 00779	
2 PLC ±0.13		WEIGHT -	DRAWING NO 5120789	
3 PLC ±0.050		RESTRICTED TO -		
4 PLC ±		SCALE 4:1		
ANGLES ±		SHEET 1 OF 1		
FINISH SOLDER TAIL: 2		REV A		
CONTACT: 1		CUSTOMER DRAWING		